

# 332 Oriux Cabinet

## Standard Cabinet Assembly (SCA)

Oriux is proud to introduce the 332 SCA our (Standard Cabinet Assembly) product line of traffic signal cabinet and controller housing for the traffic industry. The 332 SCS is a highly customizable signal cabinet designed to comply to the newest provisions of the 2009 Caltrans Transportation Electrical Equipment Specifications (TEES); manufactured with a corrosion resistant aluminum alloy casing, wired with superior craftsmanship help make the 332 SCA resilient in the harshest weather conditions. The 332 SCA comes fitted to house industry standard 2070/L, 170 Caltrans controllers as well as Oriux's own brand of advance traffic controller the ATC 2000.

---

## Build to specification

Oriux is headquartered in Houston, TX operating in a new 70, 000 square foot facility and employs some of the best production engineers and project managers in the business, which provides Oriux an edge when effectively delivering hardware specification modifications, and the 332 SCA they include:

Locks, Switches, Doors, Lights, Panels, Alarms, Surge Protectors and redirection of input files to name a few.

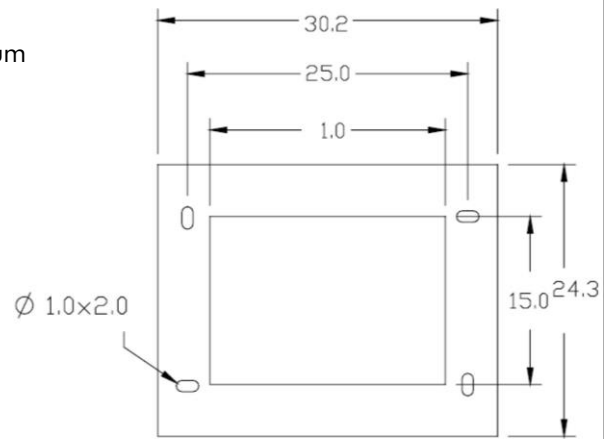


# Standard cabinet assembly

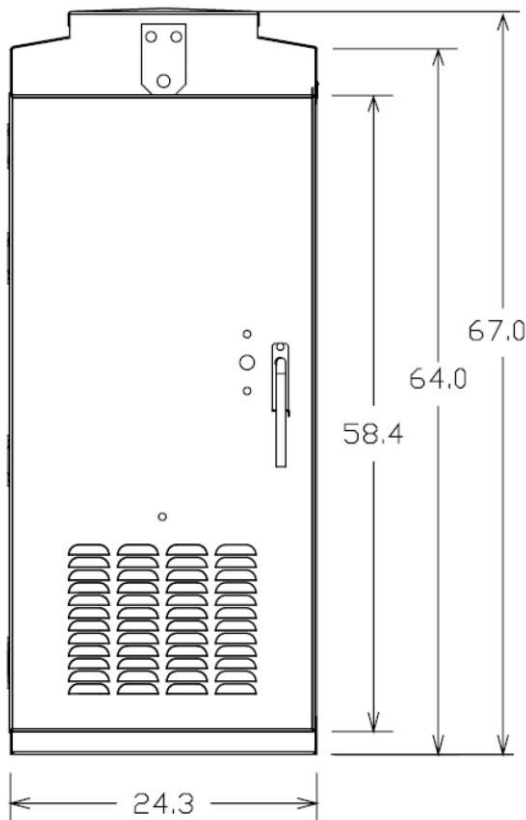
Includes:

- One year warranty
- Two doors, front and back, full size. Bare, unpainted aluminum interiors. Thick, bare and unpainted thick aluminum exterior
- 24"W x 30" D x 67"
- Up to 8 vehicle phases and 4 pedestrian. Overlaps and preemption capabilities.
- 36 detector channels.
- 2 x 14 position input files.
- 1 x 12 position output files.
- Space for conflict monitor.
- Flash relay sockets.
- Service and police panels.
- Fan with thermostat control

**BASE**



**FRONT VIEW**



**SIDE VIEW**

